

Product Information

Contactor Cross Line Kelvin

Rasco
A Cohu Company

May 2009

REQUIREMENT:
CONTACTOR FOR FINE-PITCH APPLICATIONS
OF SO AND QFN DEVICES

SOLUTION:
RASCO X-LINE KELVIN CONTACTOR

Advantages:

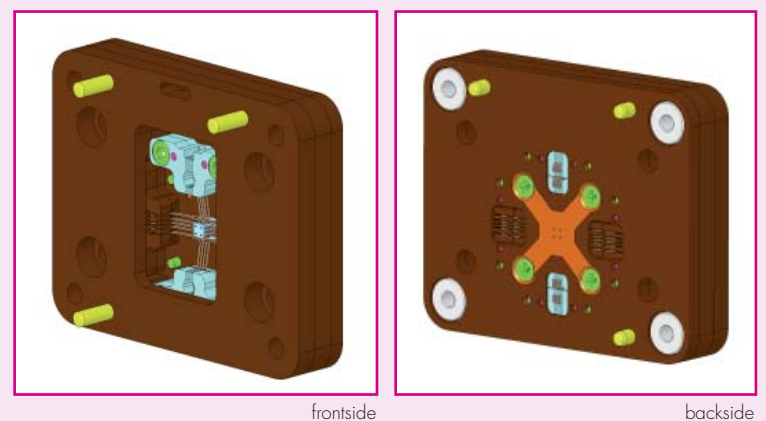
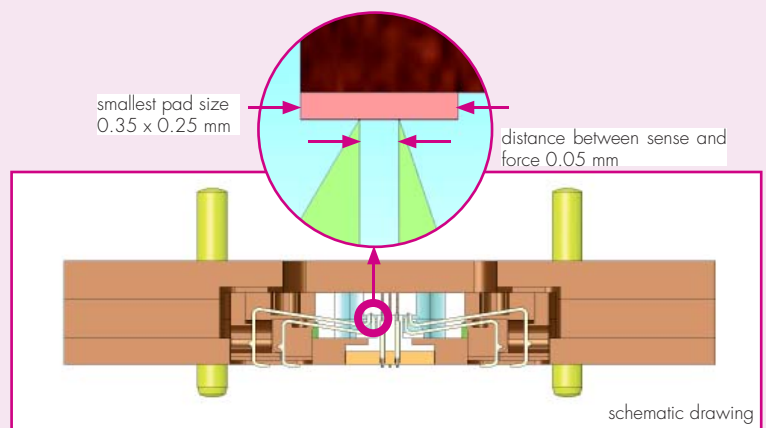
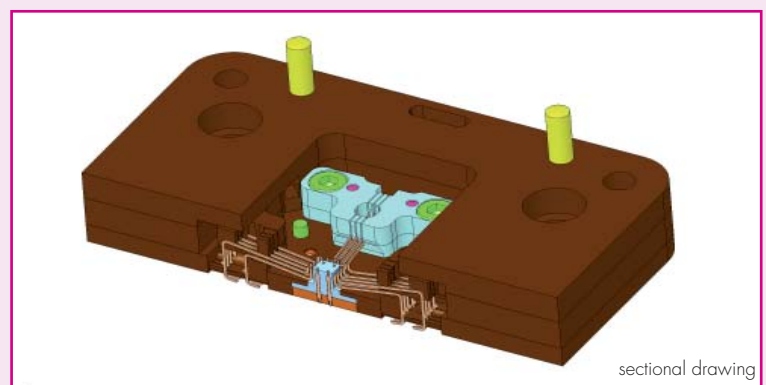
- Extremely compact design to realize a pad distance (pitch) of only 0.4 mm
- Very small pad sizes of 0.35 x 0.25 mm (depending on device tolerances) can be contacted with two contact springs (Kelvin measurement).
- In case of vertical pad arrangement a pad size of 0.3 x 0.25 mm is possible.
- Extremely small distance between sense and force of 0.05 mm
- No adjustment of the contact springs because of defined spring body positions
- Easy replacment of the contact springs by "plug & play" of the complete contact body
- Z-stack is compatible to Rasco Pogo pins (RD-Pogo)
- Hall application possible
- Multiple interfaces possible, e.g. edge connector, pin interface, Real-Plunge-to-Board
- Resistance < 0.1 Ohm

The Cross Line Kelvin Contactor is applicable for all SO1X00 and SO2X00 Handlers and will be verified for the SO3000 as well on request.

S E R V I C E

For more information please ask your local Rasco service team or contact service@rasco.de.

VIEWS OF CROSS-LINE KELVIN CONTACTOR



Contact: Germany: Rasco GmbH, Geigelsteinstraße 6, 83059 Kolbermoor/Germany, Phone: +49-8031-2337-0, Fax: +49-8031-2337-10
 Asia: Delta Design, Inc./Rasco Asia, 3 Kallang Sector #01-06, Singapore 349278, Phone: +65-6288-6949, Fax: +65-6289-6949
 USA: Delta Design, Inc./Rasco US, 12367 Crosthwaite Circle, Poway, CA 92064-6817, Phone: +1-858-848-8000, Fax: +1-858-848-8180
 email: info@deltad.com, info@rasco.de; web: www.deltad.com, www.rasco.de