

Product Information

SO2000 Plunger Kit Framed

Rasco
A Cohu Company

May 2009

REQUIREMENT: INTEGRATION OF PLUNGER PARTS IN A FRAME

The SO2000 Plunger has been redesigned for conversion kits for 49 mil, 51 mil, 63 mil and 73 mil devices. Compared to the previous version of the Plunger, the single parts are no longer separated at the input, contacting and output area, but integrated in a frame.

SOLUTION: PLUNGER KIT FRAMED

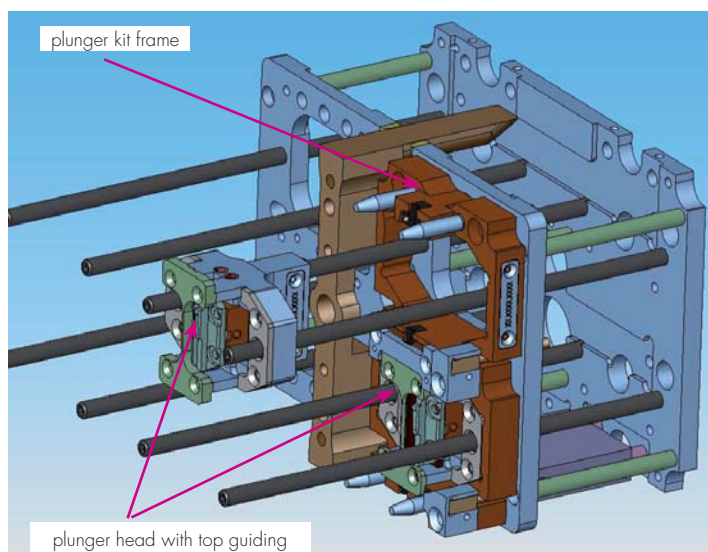
The new Plunger Kit Framed enables a better level compensation.

Exchangeable inlays are available for the running surface. Further advantages are shown in the below summary of customer benefits.

The Plunger Kit Framed is available with Torlon, Sapphire or Ceramic lead supports (Sapphire only for 63 mil devices).

A Plunger Kit Framed (pict. 1) mainly consists of:

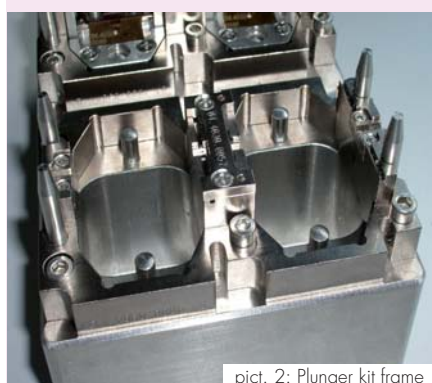
- Plunger frame (pict. 2)
- Plunger head base (pict. 3a/b)
- Top guiding (pict. 3a/b)
- Dedicated inlays (not for 63 mil)



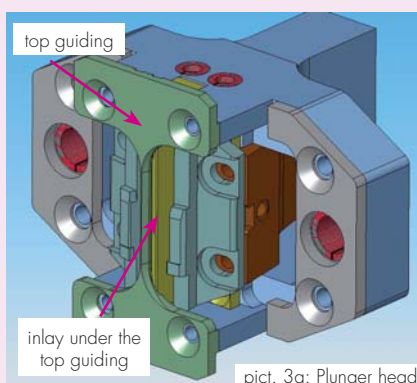
pict. 1: Complete plunger kit with frame and plunger head

CUSTOMER BENEFIT

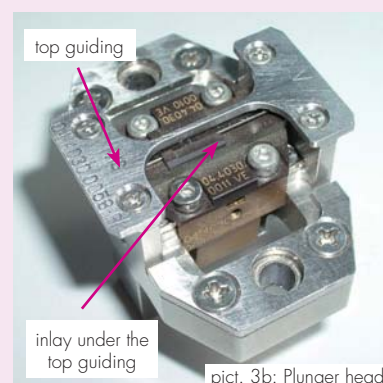
- Identical plunger head base for 49, 51 and 63 mil
- No adjustments necessary, parts are dedicated
- Plunger head base and top guiding can also be used for existing kits (100% compatible)
- Less spare parts required: Top guiding is exchangeable, frame and plunger head base are no longer wearing parts
- Reduced kit exchange time
- Cost reduction and easier operation



pict. 2: Plunger kit frame



pict. 3a: Plunger head



pict. 3b: Plunger head

Contact: Germany: Rasco GmbH, Geigelsteinstraße 6, 83059 Kolbermoor/Germany, Phone: +49-8031-2337-0, Fax: +49-8031-2337-10
Asia: Delta Design, Inc./Rasco Asia, 3 Kallang Sector #01-06, Singapore 349278, Phone: +65-6288-6949, Fax: +65-6289-6949
USA: Delta Design, Inc./Rasco US, 12367 Crosthwaite Circle, Poway, CA 92064-6817, Phone: +1-858-848-8000, Fax: +1-858-848-8180
email: info@deltad.com, info@rasco.de; web: www.deltad.com, www.rasco.de