

## Product Information

# SO2000 Post Contact Site Buffer

**Rasco**  
A Cohu Company

May 2009

### REQUIREMENT: PERFORMANCE UPGRADE - THROUGHPUT INCREASE

The SO2000 All-In-One-Handler has been redesigned to follow the continuous requirement of higher throughput.

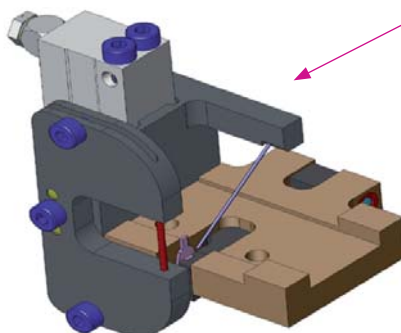
### SOLUTION: POST CONTACT SITE BUFFER

A Post CS Buffer unit has been integrated between plunger exit and sorter to optimize the process flow of certain synchronous and asynchronous handling modes. The effect is a faster transport of the devices. A throughput increase of up to 25% is achieved, especially for dual vertical and quad applications at synchronous mode, independent of the plunger type, real-plunge-to-board (RPTB) as well as plunge-to-board (PTB).

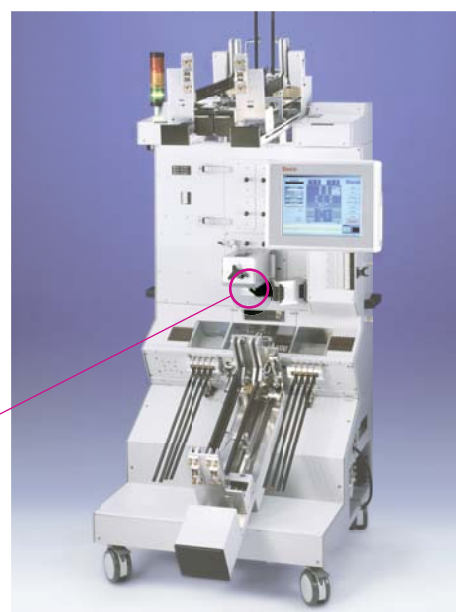
The Post CS Buffer can be used for all package types.

The complete upgrade consists of the buffer assembly, a new output segment and a new software. A detailed instruction manual is included. An upgrade of existing SO2000 handlers is possible from software version V4.08 on.

Since January 2008 the Post CS Buffer is included in the standard equipment of each SO2000 Handler.

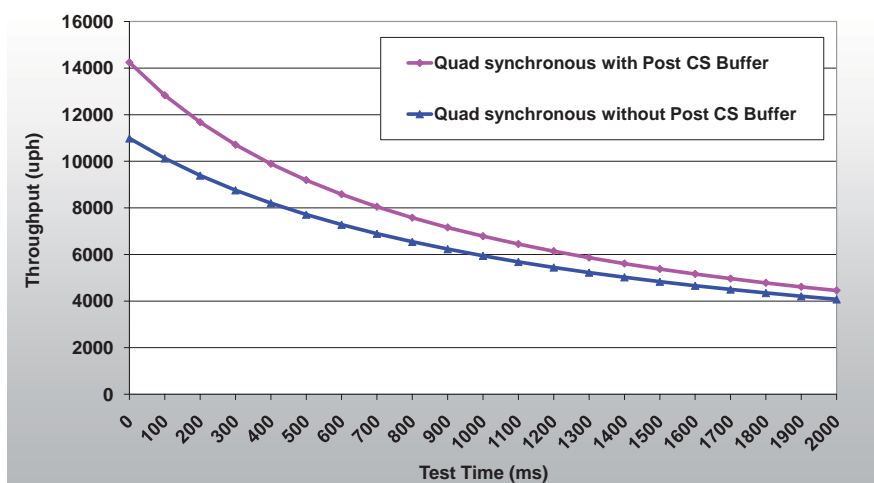


SO2000 Post CS Buffer  
P/N 04.6700.0015



SO2000 Tube-to-Tube Handler

### THROUGHPUT EXAMPLE: COMPARISON SO2000 WITH/WITHOUT POST CS BUFFER



### CUSTOMER BENEFIT

- **Throughput Increase up to 25%**  
(individual throughput calculation for your application can be provided on request)
- **Post CS Buffer is included in standard SO2000 equipment without any price increase**  
(for all handlers since January 2008)
- **Improves existing investment**
- **Lower Cost of Test**

### S E R V I C E

For more information please ask your local Rasco service team or contact [service@rasco.de](mailto:service@rasco.de)

**Contact:** Germany: Rasco GmbH, Geigelsteinstraße 6, 83059 Kolbermoor/Germany, Phone: +49-8031-2337-0, Fax: +49-8031-2337-10  
Asia: Delta Design, Inc./Rasco Asia, 3 Kallang Sector #01-06, Singapore 349278, Phone: +65-6288-6949, Fax: +65-6289-6949  
USA: Delta Design, Inc./Rasco US, 12367 Crosthwaite Circle, Poway, CA 92064-6817, Phone: +1-858-848-8000, Fax: +1-858-848-8180  
email: [info@deltad.com](mailto:info@deltad.com), [info@rasco.de](mailto:info@rasco.de); web: [www.deltad.com](http://www.deltad.com), [www.rasco.de](http://www.rasco.de)