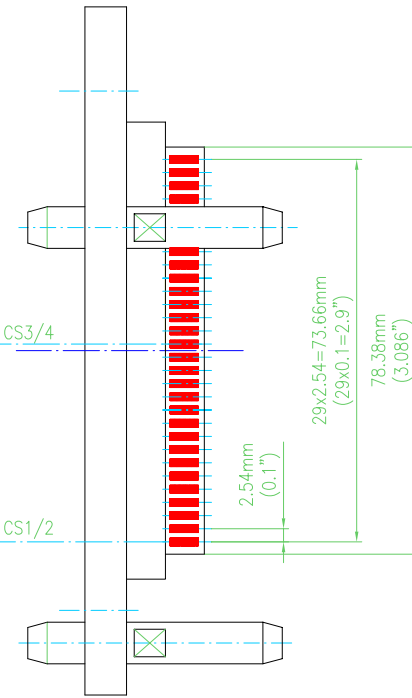
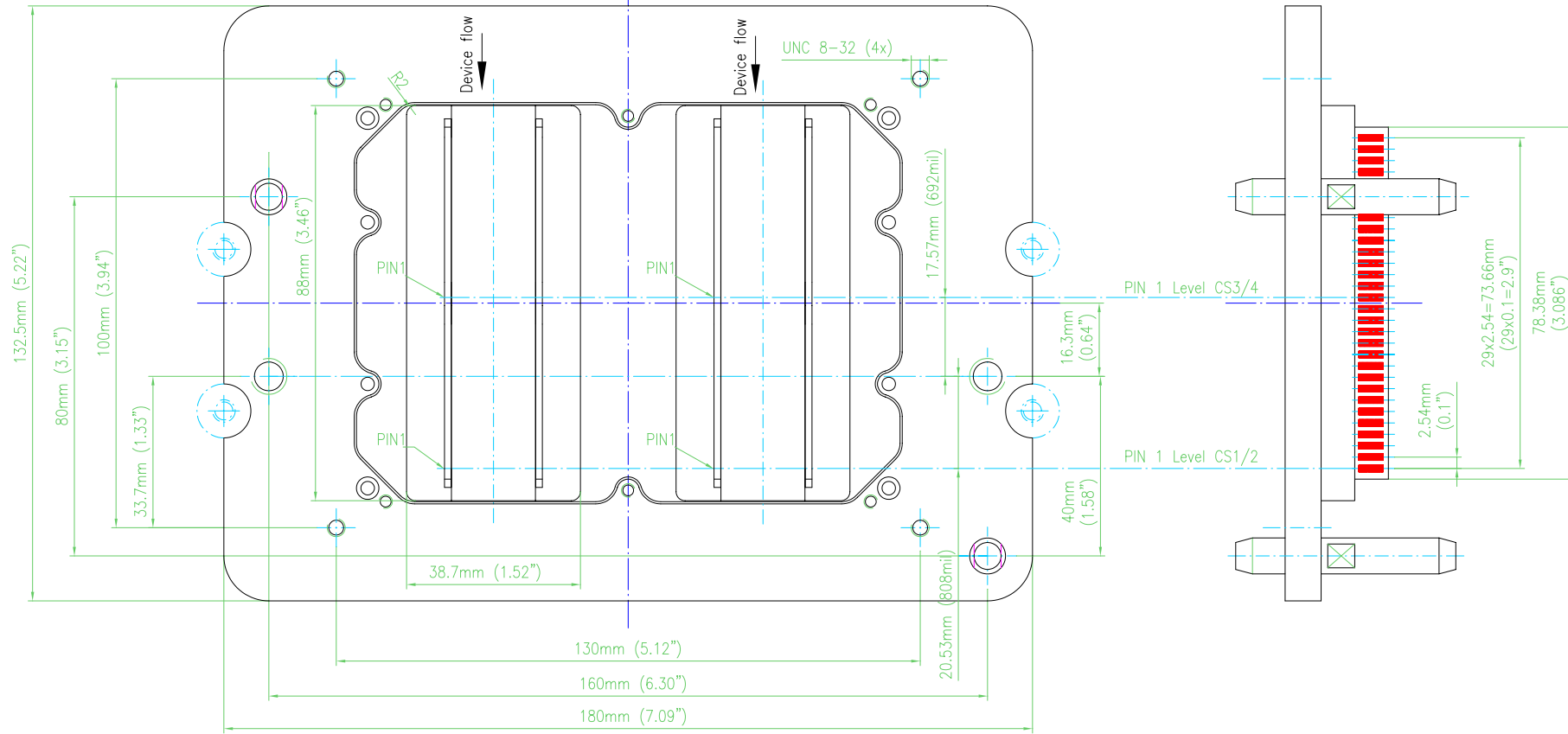
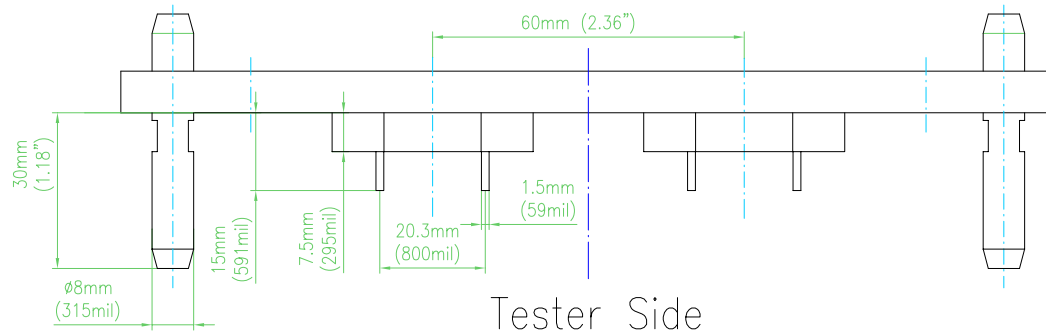


# Contactor Back View (Guide Pin Option 1) (View from tester side to the Contactor!)



Handler Side



Tester Side

	Machine <b>S01000</b>	Title <b>Contactor Info</b> quad Kelvin non crossed wires