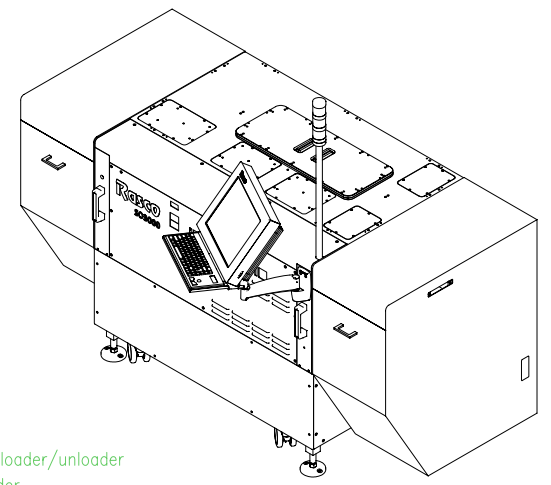
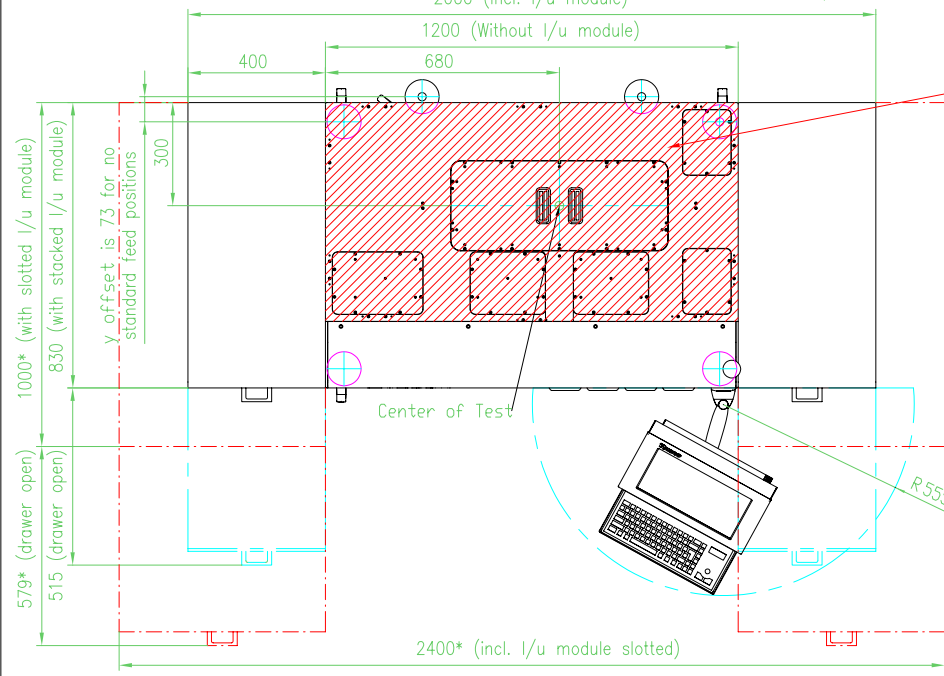
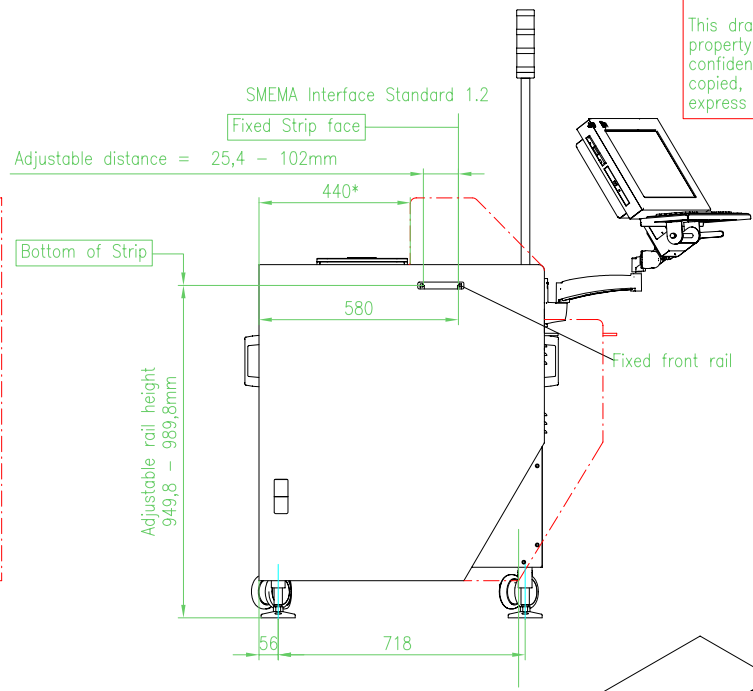
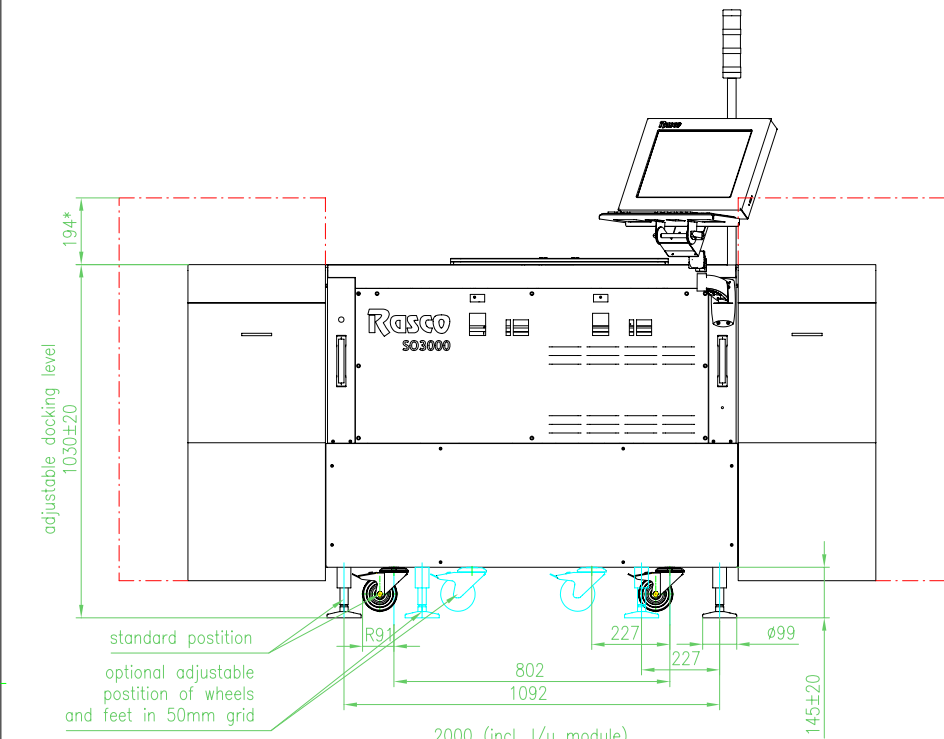


company confidential !

This drawing and the information herein is the property of RASCO and is to be used in strict confidence. This drawing shall not be reproduced, copied, or given to any third party without express written permission from RASCO.



allowed docking area

Handler footprint:  
without operator interface  
1,6sqm  
with operator interface  
2,2sqm

————— Dimensions for handler and stacked loader/unloader  
- - - - - \*Dimensions for slotted loader/unloader

|            |                           |          |         |       |         |          |       |       |                           |       |      |       |         |       |      |       |         |       |      |
|------------|---------------------------|----------|---------|-------|---------|----------|-------|-------|---------------------------|-------|------|-------|---------|-------|------|-------|---------|-------|------|
| a          | was 05.0900.0001          | 22.11.07 | tschmid |       |         |          |       |       |                           |       |      |       |         |       |      |       |         |       |      |
| b          | fitted t. new slotted L/U | 07.01.09 | lammets |       |         |          |       |       |                           |       |      |       |         |       |      |       |         |       |      |
| Index      | Zustand                   | Datum    | Name    | Index | Zustand | Datum    | Name  | Index | Zustand                   | Datum | Name | Index | Zustand | Datum | Name | Index | Zustand | Datum | Name |
| Maßstab    | 15:1/20:1                 |          |         |       | Bearb.  | 09.01.04 | hos   |       | 05.0900.0003              |       |      |       |         |       |      |       |         |       |      |
| Toleranzen |                           |          |         |       | Gepr.   |          |       |       | RASCO Docking Info S03000 |       |      |       |         |       |      |       |         |       |      |
| Material   |                           |          |         |       |         |          |       |       | Rasco                     |       |      |       |         |       |      |       |         |       |      |
| Halbzeug   |                           |          |         |       |         |          |       |       | Ähnlich                   |       |      |       |         |       |      |       |         |       |      |
| Oberfläche |                           |          |         |       | Blatt   |          | Blatt |       |                           |       |      |       |         |       |      |       |         |       |      |